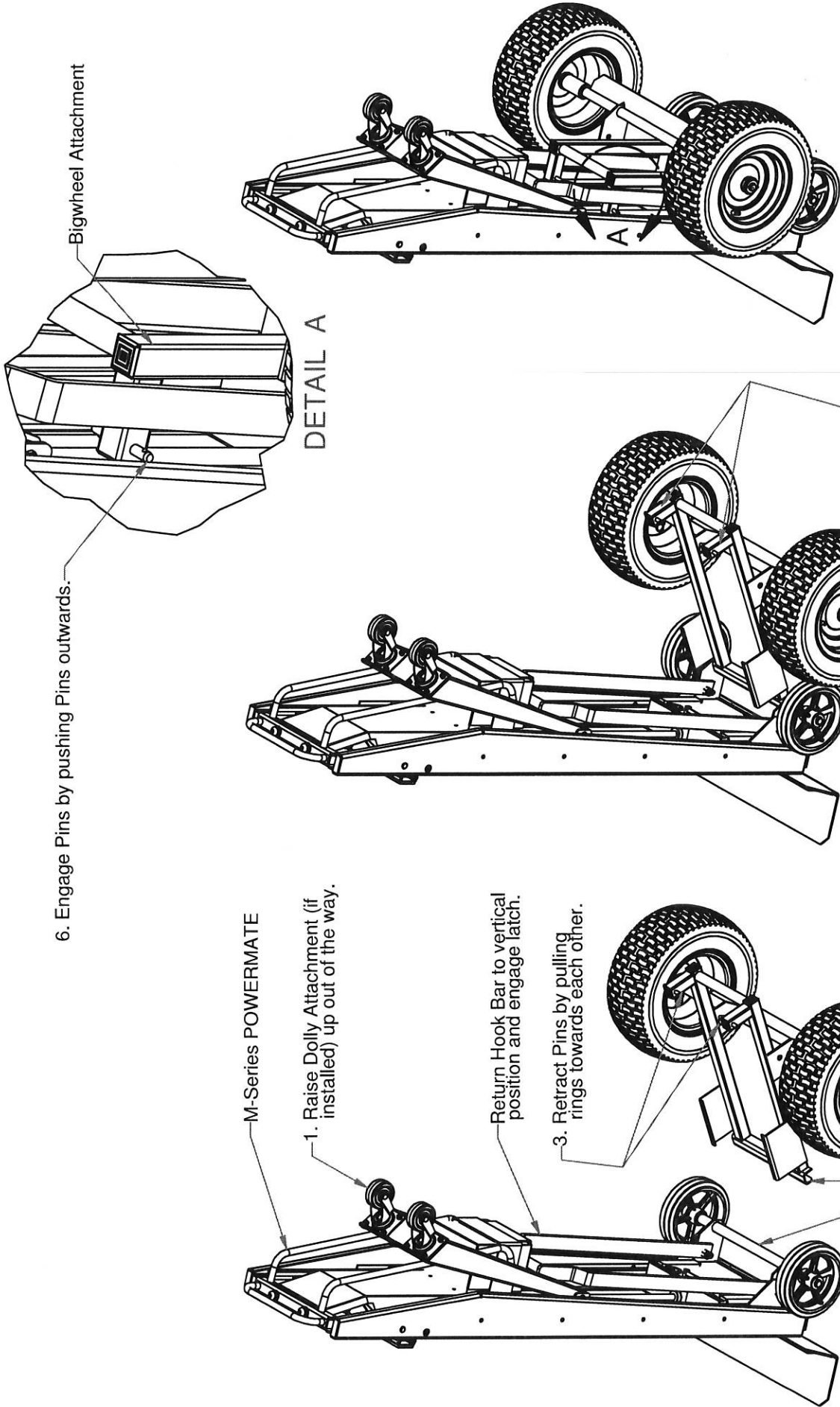


POWERMATE® BIGWHEEL ATTACHMENT INSTALLATION



6. Engage Pins by pushing Pins outwards.

Bigwheel Attachment

DETAIL A

M-Series POWERMATE

1. Raise Dolly Attachment (if installed) up out of the way.

Return Hook Bar to vertical position and engage latch.

3. Retract Pins by pulling rings towards each other.

4. Place Bigwheel Attachment Hook over the machine axle tube.

5. Raise the Bigwheel Attachment, rotating on the machine axle tube allowing the Pin Supports to pass through the Hook Bar.